

SDR DSP base board

version 2 proto

Page:

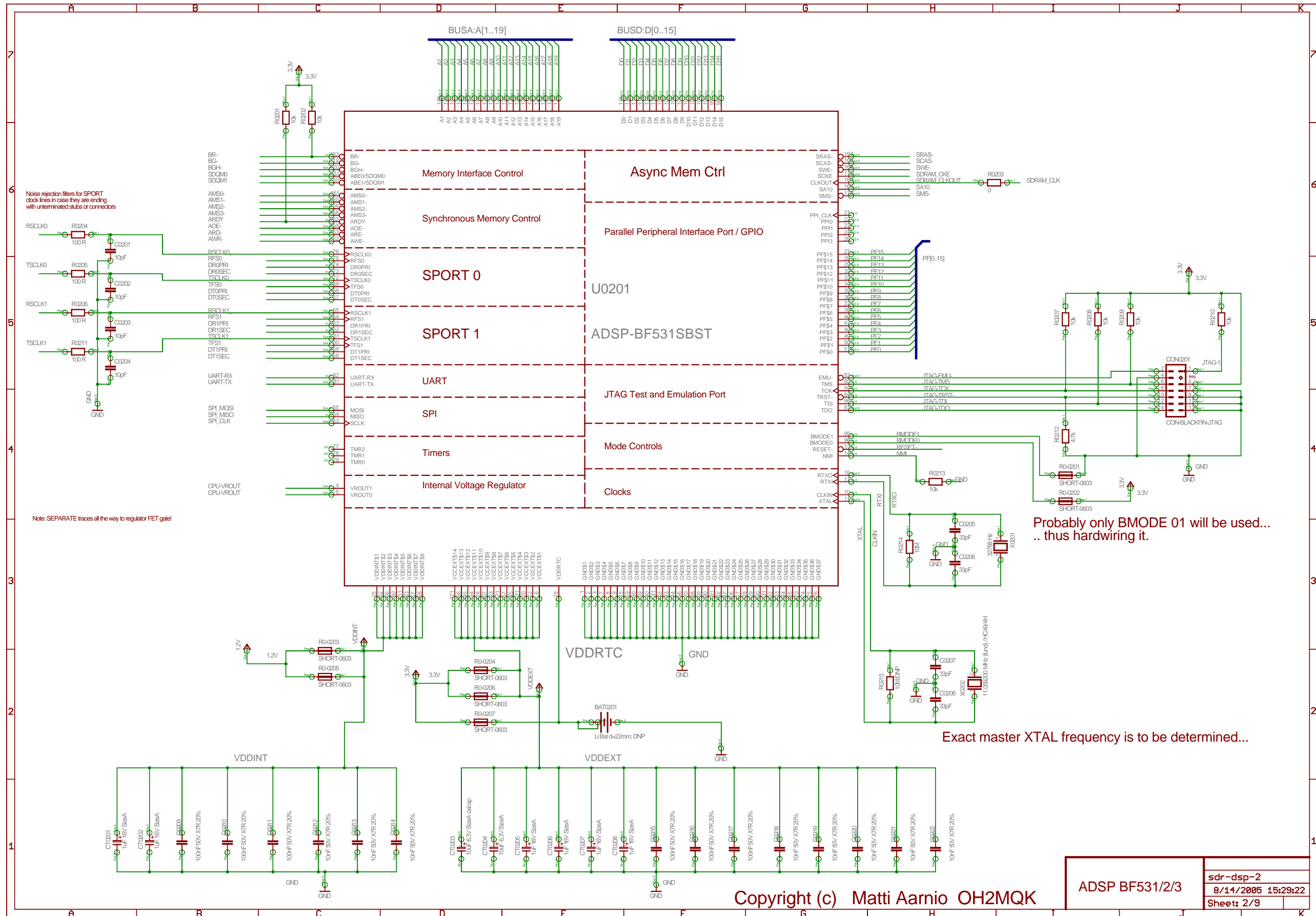
- 2 Analog Devices Blackfin DSP: BF531/2/3
- 3 SDRAM 16/32/64/128 MB
Flash memory: 2/4/8 MB
- 4 Glue logic CPLD
- 5 Power supply
- 6 SPORT connectors, CFLASH socket
- 7 USB interface
- 8 Board dimensions
- 9 Board dimensions

Note: component numbering runs as: <prefix><sheet_number><sequence_number>
where <sheet_number> is always 2 decimal digits, while <sequence_number> has at least two digits.

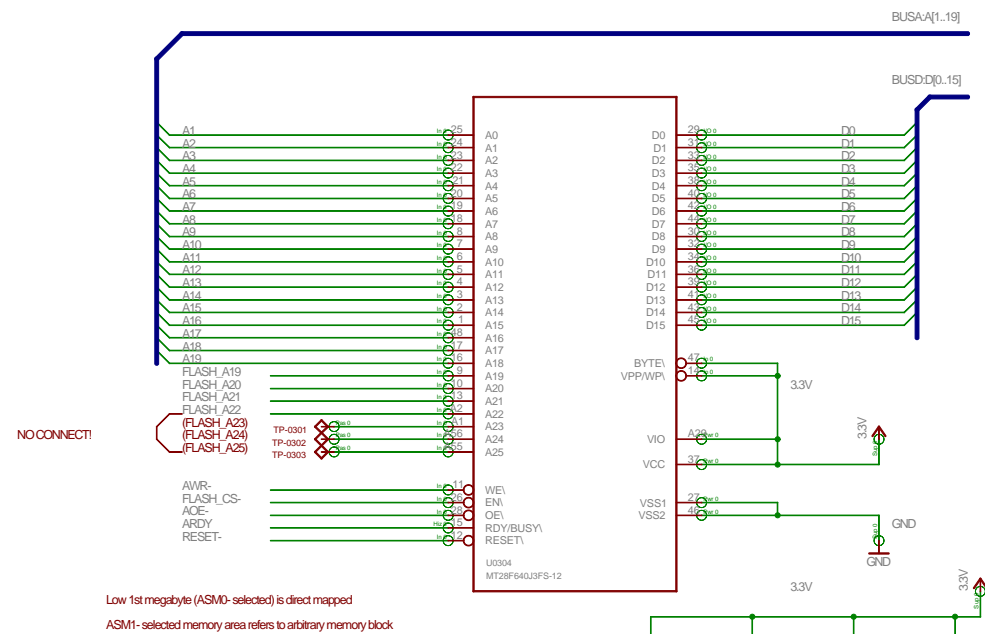
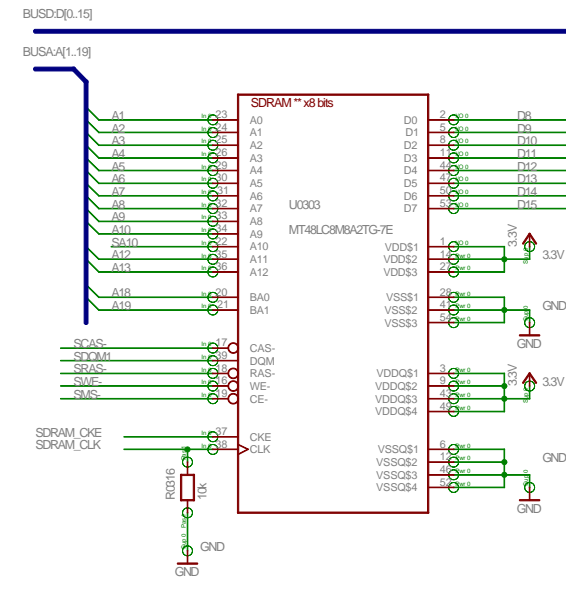
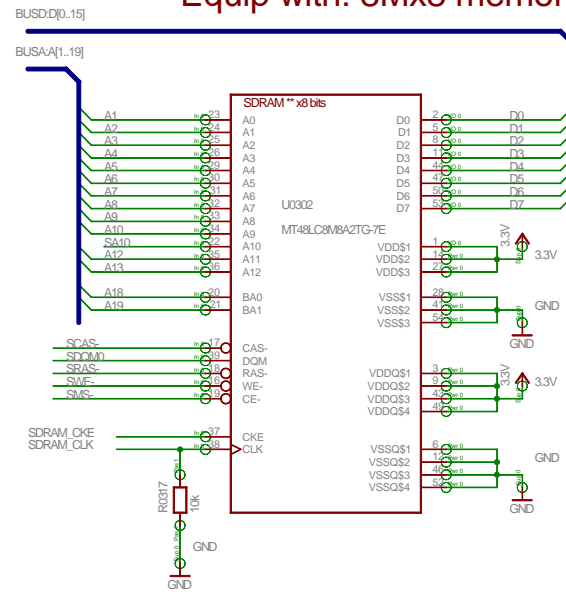
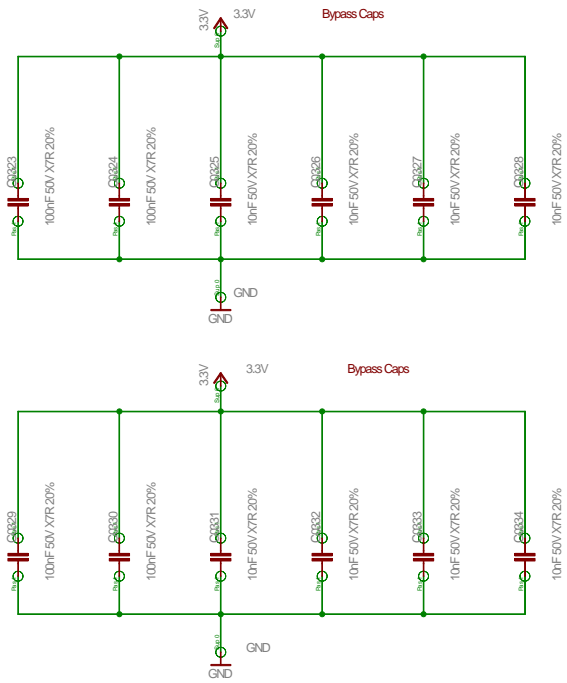
Copyright (c) Matti Aarnio OH2MQK

Front page

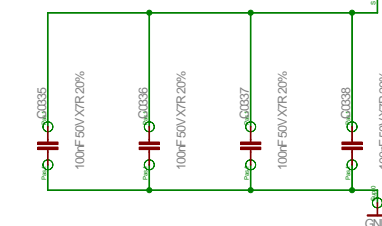
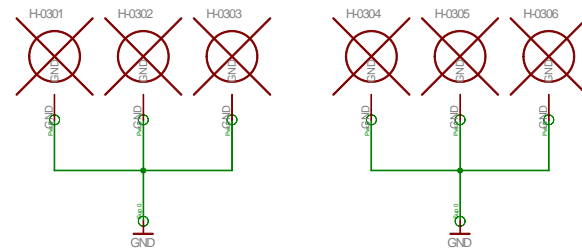
sdr-dsp-2
8/14/2005 15:29:22
Sheet: 1/9



MAX SDRAM: 128 MB !
Equip with: 8Mx8 memories, total 16 MB

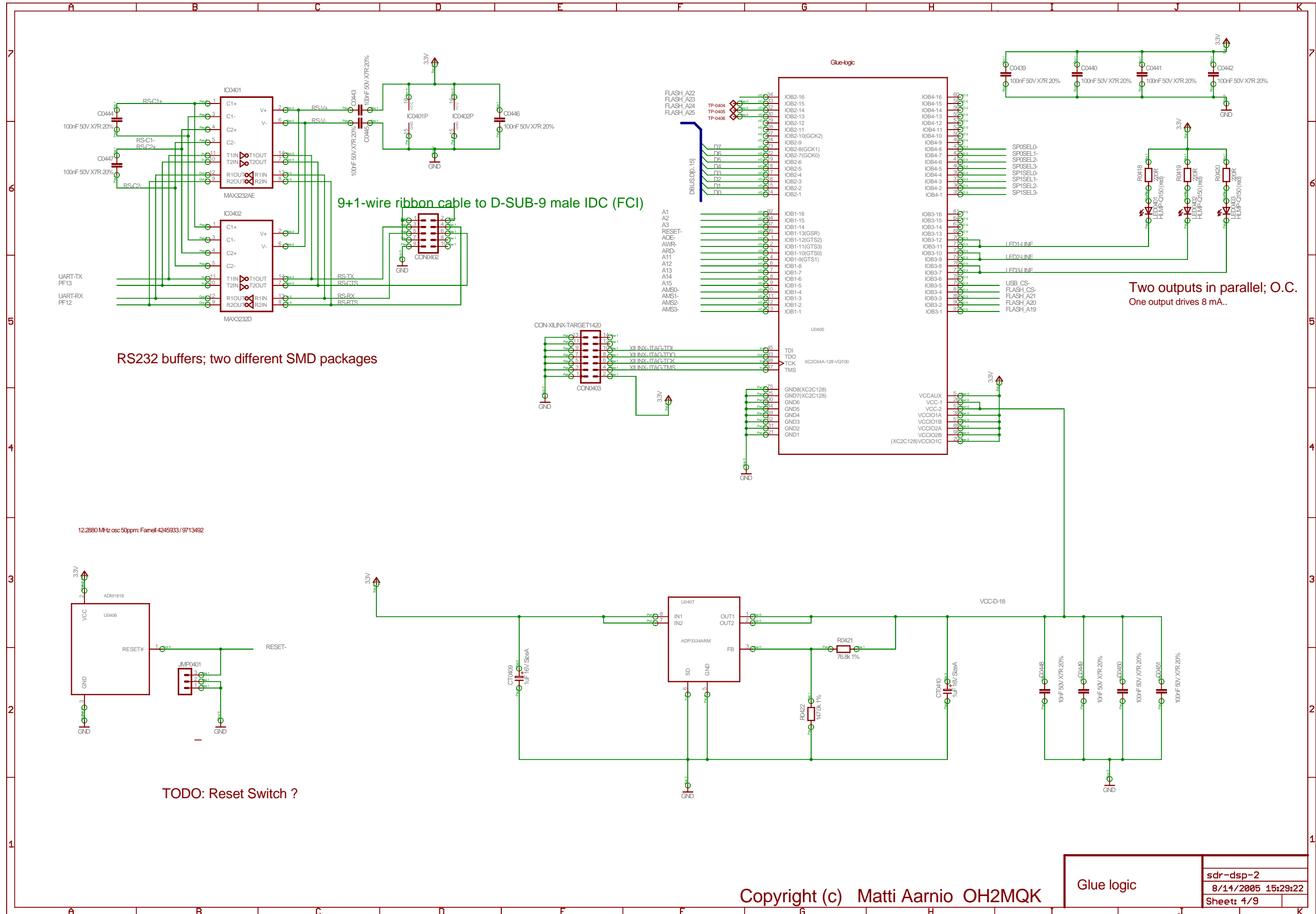


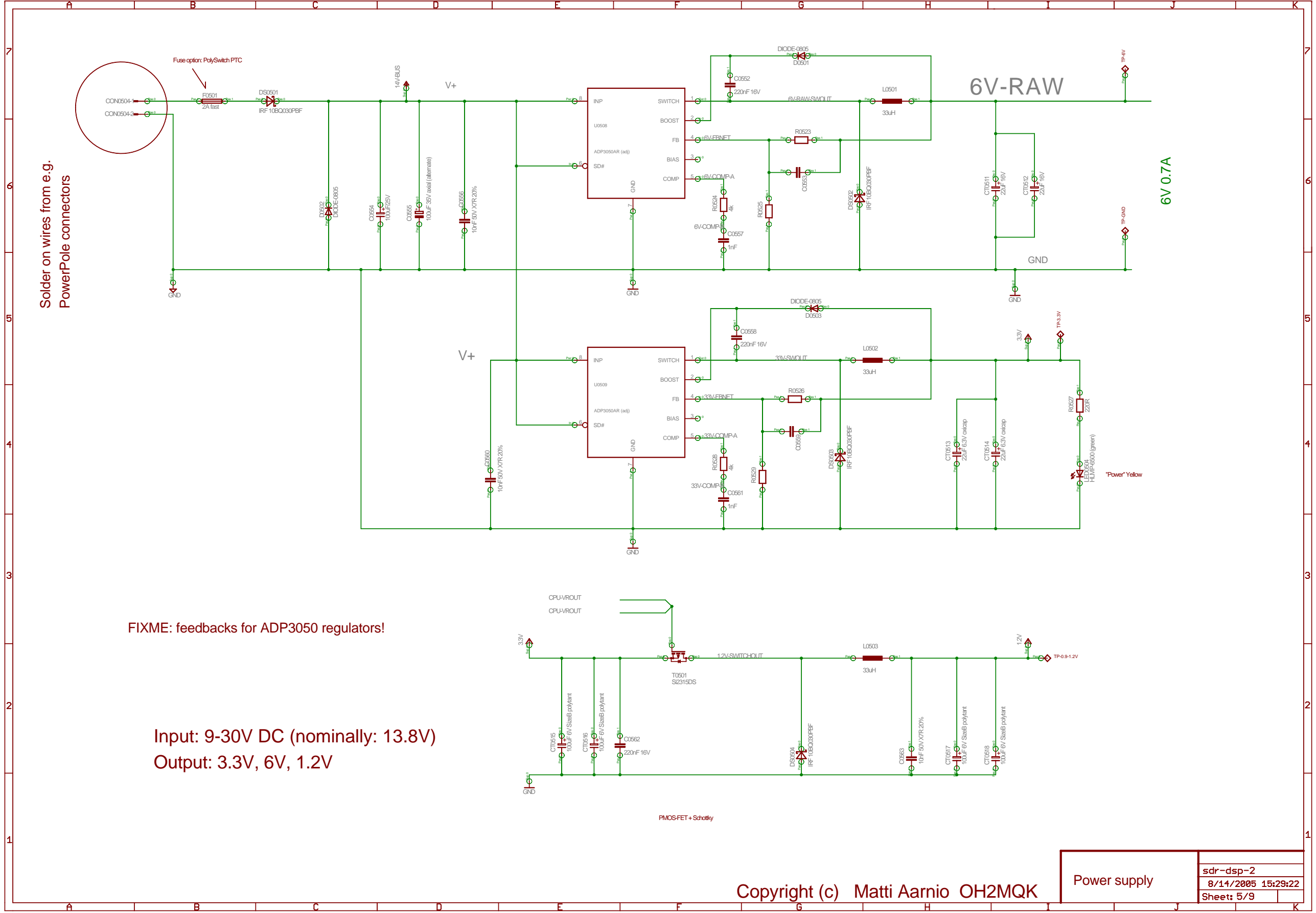
Equip with 8MB flash



SDRAM max 128 MB	sdr-dsp-2
FLASH max 16 MB	8/14/2005 15:29:22
	Sheet: 3/9

Copyright (c) Matti Aarnio OH2MQK





FIXME: feedbacks for ADP3050 regulators!

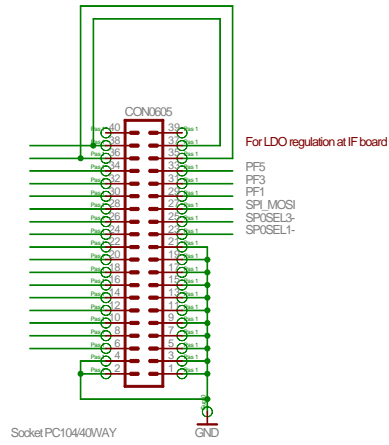
Input: 9-30V DC (nominally: 13.8V)
 Output: 3.3V, 6V, 1.2V

Copyright (c) Matti Aarnio OH2MQK

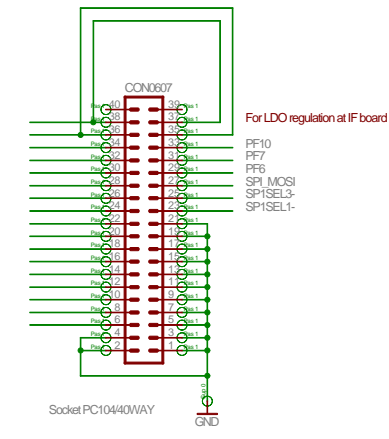
Power supply	sdr-dsp-2
	8/14/2005 15:29:22
	Sheet: 5/9

SPORT connectors

6V-RAW
3.3V
PF4
PF2
RESET-
SPI_CLK
SPI_MISO
SPOSEL2-
SPOSEL0-
DT0SEC
DT0PRI
TFS0
TSCLK0
DR0SEC
DR0PRI
RFS0
RSCLK0

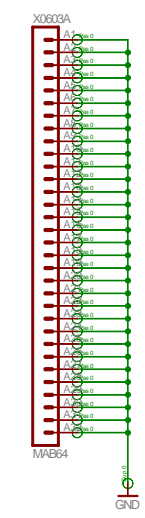
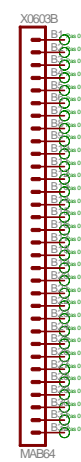
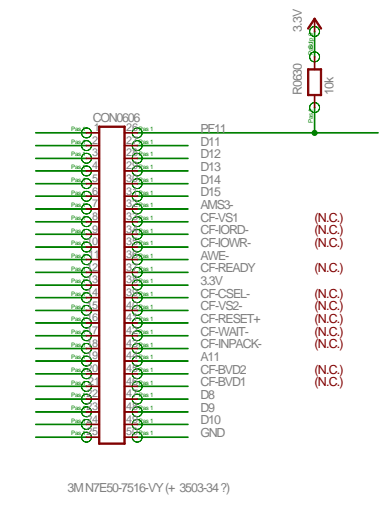


6V-RAW
3.3V
PF9
PF8
RESET-
SPI_CLK
SPI_MISO
SPOSEL2-
SPOSEL0-
DT1PRI
TFS1
TSCLK1
DR1SEC
DR1PRI
RFS1
RSCLK1



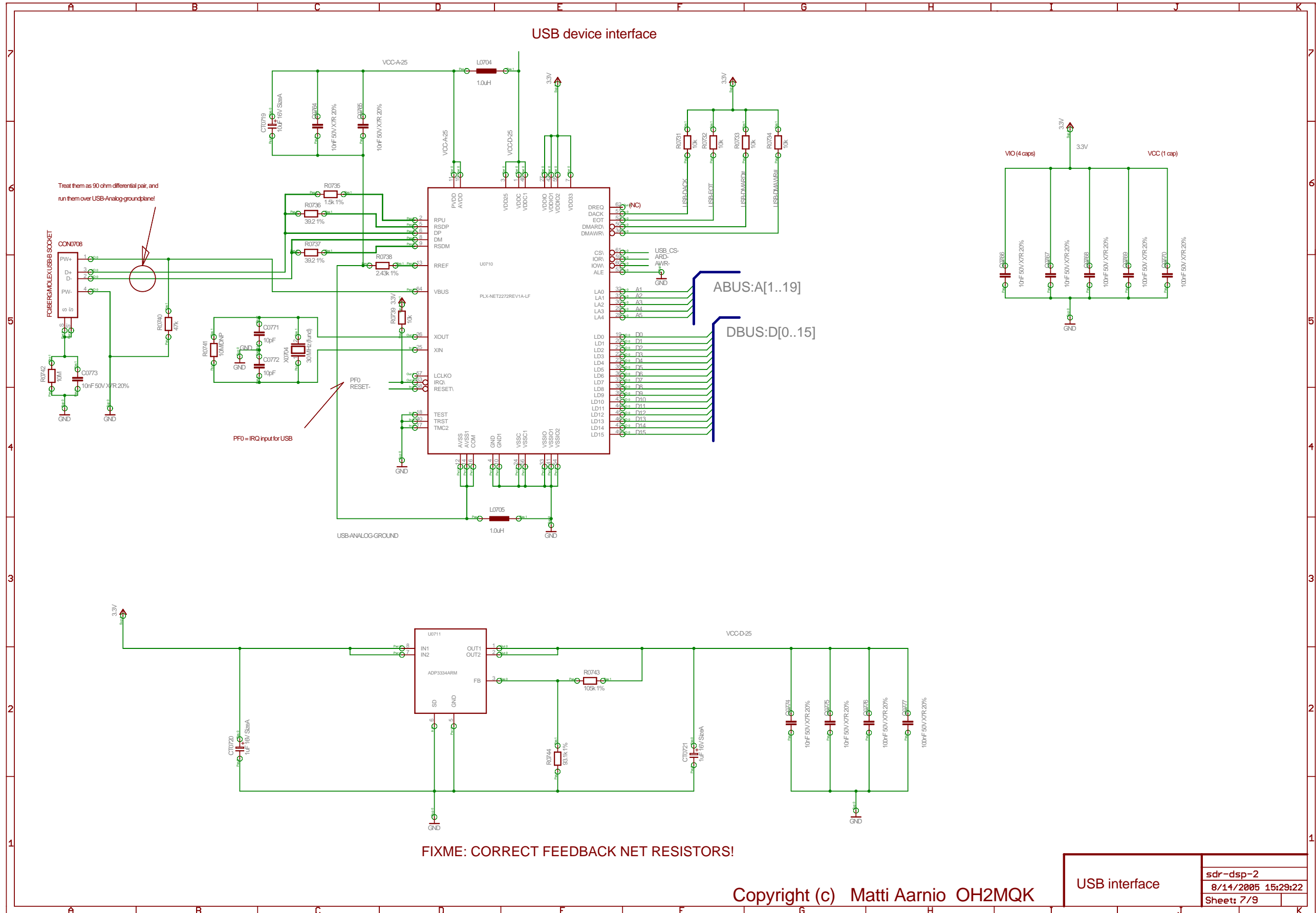
Compact Flash socket

GND
D3
D4
D5
D6
D7
AMIS3-
A10
AOE-
A9
A8
A7
A6
3.3V
A5
A4
A3
A2
A1
GND
D0
D1
D2
CF-WP
CF-CD2-



Copyright (c) Matti Aarnio OH2MQK

SPORT connectors	sdr-dsp-2
CFLASH socket	8/14/2005 15:29:22
	Sheet: 6/9



Copyright (c) Matti Aarnio OH2MQK

USB interface	sdr-dsp-2
	8/14/2005 15:29:22
	Sheet: 7/9

